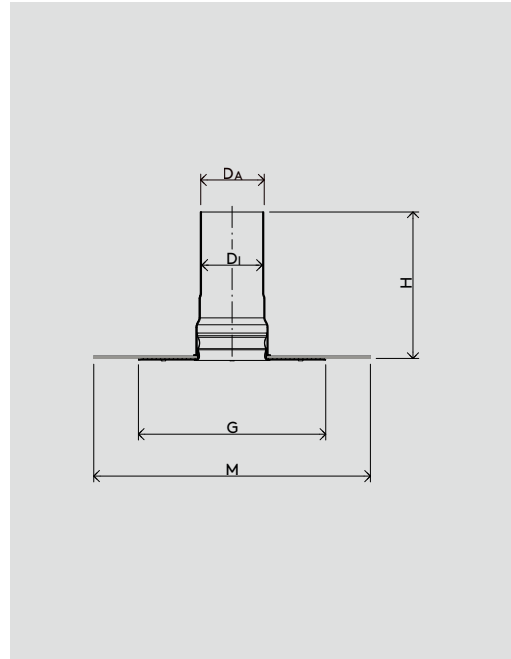


Flat Roof Vents

b/s/t ALIT Pipe Duct KD Bitumen

Specification ← Material
Aluminium

Membrane flange
SBS bitumen roofing membrane



WG 1211 ←

Nominal Width	Product No.	$D_A \varnothing$ [mm]	$D_i \varnothing$ [mm]	$G \varnothing$ [mm]	$M \varnothing$ [mm]	H [mm]
DN 70	A110-BKD070	75	71	325	500	250
DN 100	A110-BKD100	110	106	325	500	250
DN 125	A110-BKD125	125	121	325	500	250
DN 150	A110-BKD150	160	156	325	500	300